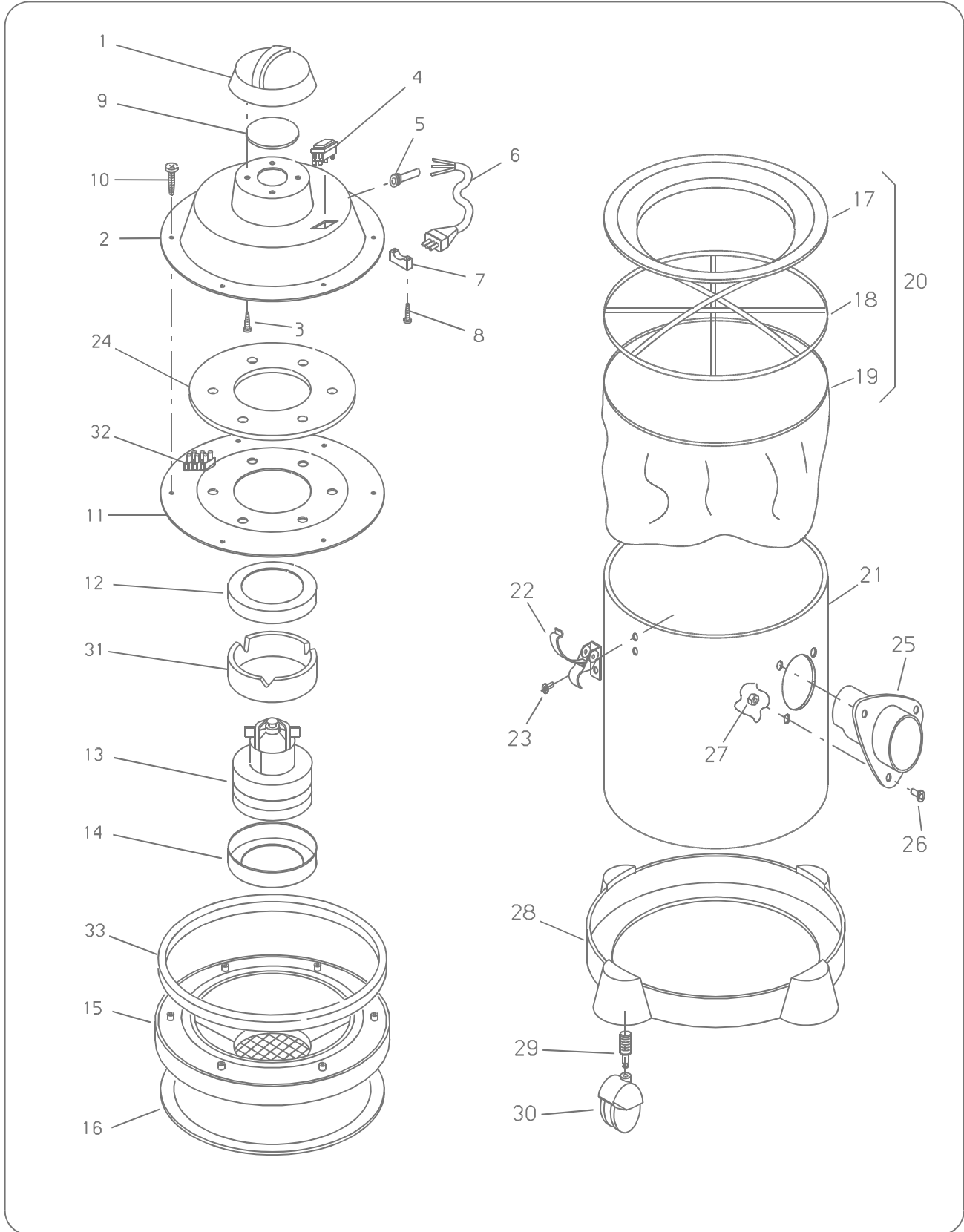


F11B1

ASPIRAPOLVERE FIBEL 100-DRY VACUUM CLEANER FIBEL 100
ASPIRATEUR POUSSIERE FIBEL 100-STAUBSAUGER FIBEL 100



N.Posit	Code	Qta	Descrizione	Description	Description	Bezeichnung
F11.A.01	CZ001*	1	COPERCHIO	COVER	COUVERCLE	DECKEL
F11.A.02	CU001*	1	CALOTTA COPRI MOTORE	MOTOR CAP	CALOTTE	MOTORKAPPE
F11.A.03	VA322	4	VITE FIL.RAP.5x13 TC S/PUNTA	SCREW	VIS	SCHRAUBE
F11.A.04	IN010	1	INTERRUTTORE	ON/OFF SWITCH	INTERRUPTEUR	SCHALTER
F11.A.05	PY309	1	PASSACAVO IN GOMMA NERA	BLACK RUBBER FAIRLEAD	PASSECABLE NOIR	KABELDURCHGANG
F11.A.06	PY999*	1	CAVO ELETTRICO	ELECTRIC CABLE	CABLE ELECTRIQUE	ELEKTR. KABEL
F11.A.07	PY308	1	FERMACAVO IN PLASTICA PICCOLO	CABLE HOLDER	ARRETE-CABLE	KABELSPERRE
F11.A.08	VA261	2	VITE AUTOFIL.TC CROCE 3,5x19	SCREW	VIS	SCHRAUBE
F11.A.09	GO005	1	GUARNIZIONE GALLEGGIANTE	BASKET-SHUT OFF CAN	GARNITURE	SCHWIMMERDICHTUNG
F11.A.10	VA323	6	VITE FIL.RAP.5x16 TC S/PUNTA	SCREW	VIS	SCHRAUBE
F11.A.11	DF001	1	BRIGLIA FERMA MOTORE	BRIDLE	CRAMPON	SPERRE
F11.A.12	GR103	1	GUARNIZIONE A L 145x10 MORBIDA	"L" GASKET 145x10	GARNITURE	L-DICHTUNG
F11.A.13	MO999*	1	MOTORE ASPIRAZIONE	SUCTION MOTOR	MOTEUR ASPIRATION	ANSAUGMOTOR
F11.A.14	GR009	1	GUARNIZIONE A L 145x10	"L" GASKET 145x10	GARNITURE	L-DICHTUNG
F11.A.15	CB001*	1	CALOTTA BASE D.285	CAP BASE D.285	CALOTTE	KAPPE
F11.A.16	GO001	1	GUARNIZIONE CALOTTA BASE D.285	DOME GASKET	GARNITURE	KAPPEDICHTUNG
F11.A.17	AN001	1	ANELLO FILTRO D.285	FILTER RING D.285	BAGUE FILTRE	FILTERRING
F11.A.18	CL001	1	CESTELLO POLVERE	DUST BASKET	PANIER POUSSIERE	PULVERKASTEN
F11.A.19	SF001	1	SACCO FILTRO h=100	FILTER BAG	SAC FILTRE	FILTERBEUTEL
F11.A.20	KF004	1	ASSEMBLAGGIO FILTRO D.285x100	FILTER ASSY	ASSEMBL. FILTRE	FILTERZUSAMMENBAU
F11.A.21	CN001	1	FUSTO INOX D.285x300	SHAFT D.285x300	CUVE	SCHAFT
F11.A.22	CC004	2	CHIUSURA A SCATTO	SNAP CLOSURE	FERMETURE A RESSORT	FEDERSCHLUSS
F11.A.23	RV001	4	RIVETTO 4,8x7	RIVET	RIVET	NIETE
F11.A.24	FO004	1	MAT. POLIESTIC	POLIESTIC MAT.	MAT POLIESTIC	POL. KUNSTSTOFF
F11.A.25	BC015	1	BOCCHETTONE D.32 PER SACCO CARTA	UNION D.32	GOULOTTE	STUTZEN
F11.A.26	VC202	1	VITE CILINDRICA M4x10	SCREW	VIS	SCHRAUBE
F11.A.26A	VC201	2	VITE CILINDRICA M4x8	SCREW	VIS	SCHRAUBE
F11.A.27	DD251	3	DADO AUTOBLOCCANTE M4	SELF-LOCKING NUT	ECROU DE SURETE	MUTTER
F11.A.28	BR001*	1	BASE CARRELLO D.285	TRUCK BASE D.285	BASE CHARIOT	WAGENUNTERLAGE
F11.A.29	BS001	4	BUSSOLA RUOTE PIVOTTANTI	ROTAT.WHEELS BUSH	DOUILLE	RAEDERBUCHSE
F11.A.30	RT018	4	RUOTA PIVOTTANTE	WHEEL	ROUE	RAD
F11.A.31	FO012	1	MAT. POLIESTIC	POLIESTIC MAT.	MAT. POLIESTIC	POL. KUNSTSTOFF
F11.A.32	PY182	1	MORSETTIERA MAMMUT A 3 POLI PA44	TERMINAL BOARD	BORNIER	KLEMMENBRETT
F11.A.33	FO011	1	MAT. POLIESTIC	POLIESTIC MAT.	MAT. POLIESTIC	POL. KUNSTSTOFF

Ing. O. FIORENTINI s.r.l.

Sede e Stabilimenti: **50030 PIANCALDOLI** - Loc. ROMBOLA (Firenze) Tel.055/8173610 - Fax 055/817144

50030 PIETRAMALA - Via del Molino (Firenze) Tel. 055/813447

Filiale: **00155 ROMA** - Via Carlo Carrà, 13
Tel.06/22754040/60 - Fax 06/22754065

Filiale: **20132 MILANO** - Via Palmanova, 211/A
Tel.02/27207783 - 2564810 - Fax 02/2592779

E-mail: inform@ingfiorentini.it - sales@ingfiorentini.it - www.ingfiorentini.it