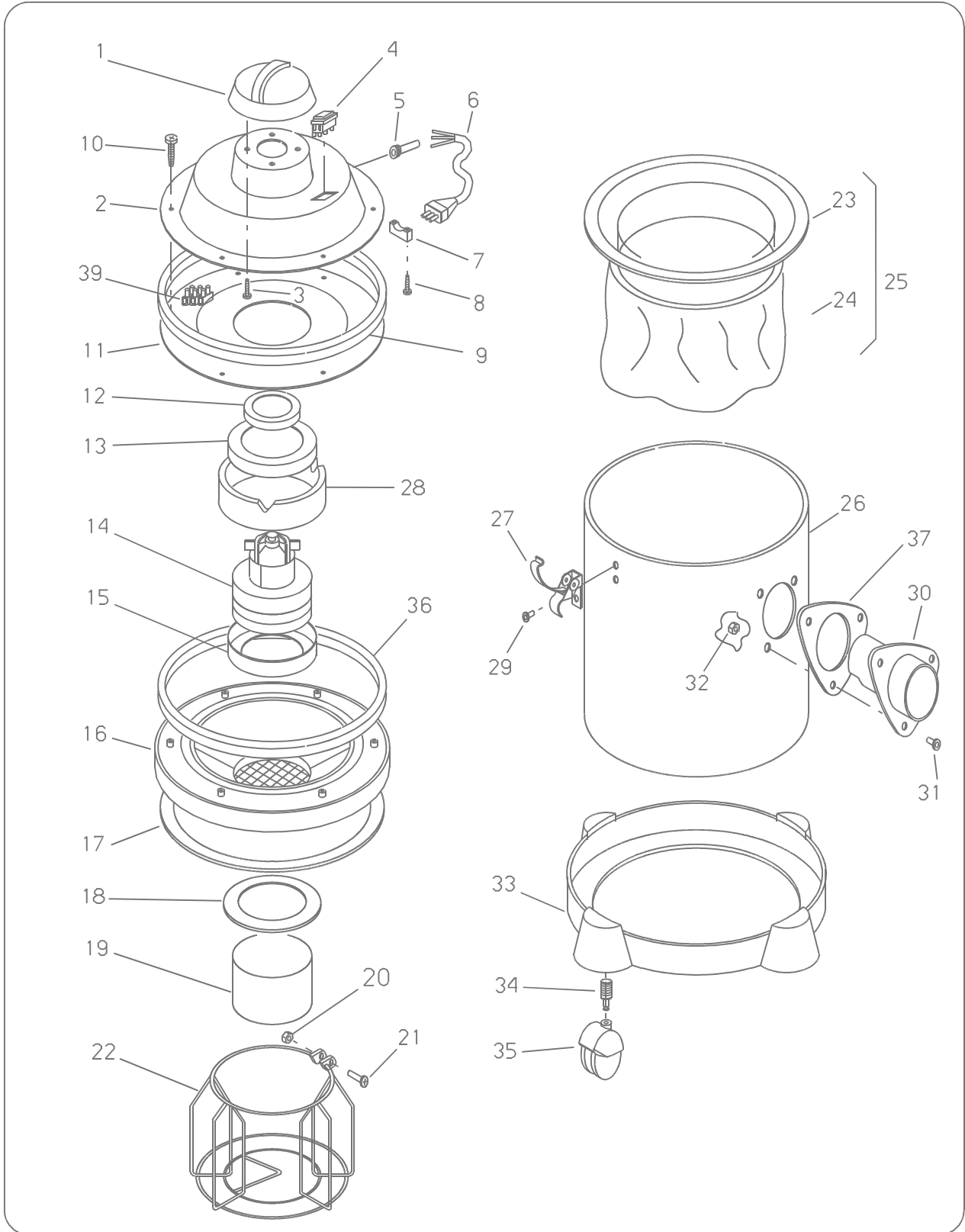


F13F1

**ASPIRAPOLVERE/ASPIRALIQUIDI FIBEL 100 - WET&DRY VACUUM
 CLEANER FIBEL 100 - ASPIRATEUR EAU/POUSSIÈRE FIBEL 100-
 STAUB WASSER SAUGER FIBEL 100**



N.Posit	Code	Qta	Descrizione	Description	Description	Bezeichnung
F13.A.01	CZ001*	1	COPERCHIO	COVER	COUVERCLE	DECKEL
F13.A.02	CU001*	1	CALOTTA COPRI MOTORE	MOTOR CAP	CALOTTE	MOTORKAPPE
F13.A.03	VA322	4	VITE FIL.RAP.5x13 TC S/PUNTA	SCREW	VIS	SCHRAUBE
F13.A.04	IN010	1	INTERRUTTORE	ON/OFF SWITCH	INTERRUPTEUR	SCHALTER
F13.A.05	PY309	1	PASSACAVO IN GOMMA NERA	BLACK RUBBER FAIRLEAD	PASSECCABLE NOIR	KABELDURCHGANG
F13.A.06	PY999*	1	CAVO ELETTRICO	ELECTRIC CABLE	CABLE ELECTRIQUE	ELEKTR. KABEL
F13.A.07	PY308	1	FERMACAVO IN PLASTICA PICCOLO	CABLE HOLDER	ARRETE-CABLE	KABELSPERRE
F13.A.08	VA261	2	VITE AUTOFIL.TC CROCE 3,5x19 UNI16	SCREW	VIS	SCHRAUBE
F13.A.09	FO011	1	MAT. POLIESTIC	POLIESTIC MAT.	MAT. POLIESTIC	POL.KUNSTSTOFF
F13.A.10	VA323	6	VITE FIL.RAP.5x16 TC S/PUNTA	SCREW	VIS	SCHRAUBE
F13.A.11	DF002	1	BRIGLIA FERMA MOTORE	BRIDLE	CRAMPON	SPERRE
F13.A.12	GO014	1	CONVOGLIATORE	CONVEYOR	CONVOYEUR	FOERDERER
F13.A.13	GR072	1	GUARNIZIONE A L 145x3.5	GASKET	JOINT	DITHTUNG
F13.A.14	MO999*	1	MOTORE ASPIRAZIONE	SUCTION MOTOR	MOTEUR ASPIRATION	ANSAUGMOTOR
F13.A.15	GR102	1	GUARNIZIONE A L 145x3.5 MORBIDA	GASKET	JOINT	L-DITHTUNG
F13.A.16	CB001*	1	CALOTTA BASE D.285	CAP BASE D.285	CALOTTE	KAPPE
F13.A.17	GO001	1	GUARNIZIONE CALOTTA BASE D.285	DOME GASKET	GARNITURE	KAPPEDICHTUNG
F13.A.18	GO002	1	GUARNIZIONE GALLEGGIANTE	GASKET FLOAT	GARNITURE	SCHWIMMERDICHTUNG
F13.A.19	GE001	1	GALLEGGIANTE	FLOAT	FLOTTEUR	SCHWIMMER
F13.A.20	DD203	1	DADO M5 UNI 5588/65	NUT	ECROU	MUTTER
F13.A.21	VC219	1	VITE CILIN.CROCE M5x35 UNI 7687	SCREW	VIS	SCHRAUBE
F13.A.22	CL002	1	CESTELLO h=155	BASKET h=155	PANIER	KASTEN
F13.A.23	AN001	1	ANELLO FILTRO D.285	FILTER RING D.285	BAGUE FILTRE	FILTERRING
F13.A.24	SF002	1	SACCO FILTRO h=190	FILTER BAG	SAC FILTRE	FILTERBEUTEL
F13.A.25	KF002	1	ASSEMBLAGGIO FILTRO D.285x190	FILTER ASSY	ASSEMBL. FILTRE	FILTERZUSAMMENBAU
F13.A.26	CN001*	1	FUSTO ABS D.285x300	ABS SHAFT D.285x300	CUVE ABS	SCHAFT
F13.A.27	CC003	2	CHIUSURA A SCATTO	SNAP CLOSURE	FERMETURE A RESSORT	FEDERSCHLUSS
F13.A.28	FO012	1	MAT. POLIESTIC	POLIESTIC MAT.	MAT. POLIESTIC	POL. KUNSTSTOFF
F13.A.29	RV003	4	RIVETTO 3,8x9	RIVET	RIVET	NIETE
F13.A.30	BC015	1	BOCCHETTONE D.32 PER SACCO CARTA	UNION D.32	GOULOTTE	STUTZEN
F13.A.31	VC200	2	VITE 4x12	SCREW	VIS	SCHRAUBE
F13.A.31A	VC204	1	VITE 4x16	SCREW	VIS	SCHRAUBE
F13.A.32	DD251	1	DADO AUTOBLOCCANTE M4	SELF-LOCKING NUT	ECROU DE SURETE	MUTTER
F13.A.33	BR001*	1	BASE CARRELLO D.285	TRUCK BASE D.285	BASE CHARIOT	WAGENUNTERLAGE
F13.A.34	BS001	4	BUSSOLA RUOTE PIVOTTANTI	ROTAT.WHEELS BUSH	DOUILLE	RAEDERBUCHSE
F13.A.35	RT018	4	RUOTA PIVOTTANTE	WHEEL	ROUE	RAD
F13.A.36	FO011	1	MAT. POLIESTIC	POLIESTIC MAT.	MAT. POLIESTIC	POL.KUNSTSTOFF
F13.A.37	GO013	1	GUARNIZIONE BOCCHETTONE D.32	UNION GASKET	GARNITURE	STUTZENDICHTUNG
F13.A.39	PY182	1	MORSETTIERA MAMMUT A 3 POLI PA44	TERMINAL BOARD	BORNIER	KLEMMENBRETT

Ing. O. FIORENTINI s.r.l.

Sede e Stabilimenti: **50030 PIANCALDOLI** - Loc. ROMBOLA (Firenze) Tel.055/8173610 - Fax 055/817144
50030 PIETRAMALA - Via del Molino (Firenze) Tel. 055/813447

Filiale: **00155 ROMA** - Via Carlo Carrà, 13
Tel.06/22754040/60 - Fax 06/22754065

Filiale: **20132 MILANO** - Via Palmanova, 211/A
Tel.02/27207783 - Fax 02/2592779

E-mail: inform@ingfiorentini.it - sales@ingfiorentini.it - www.ingfiorentini.it