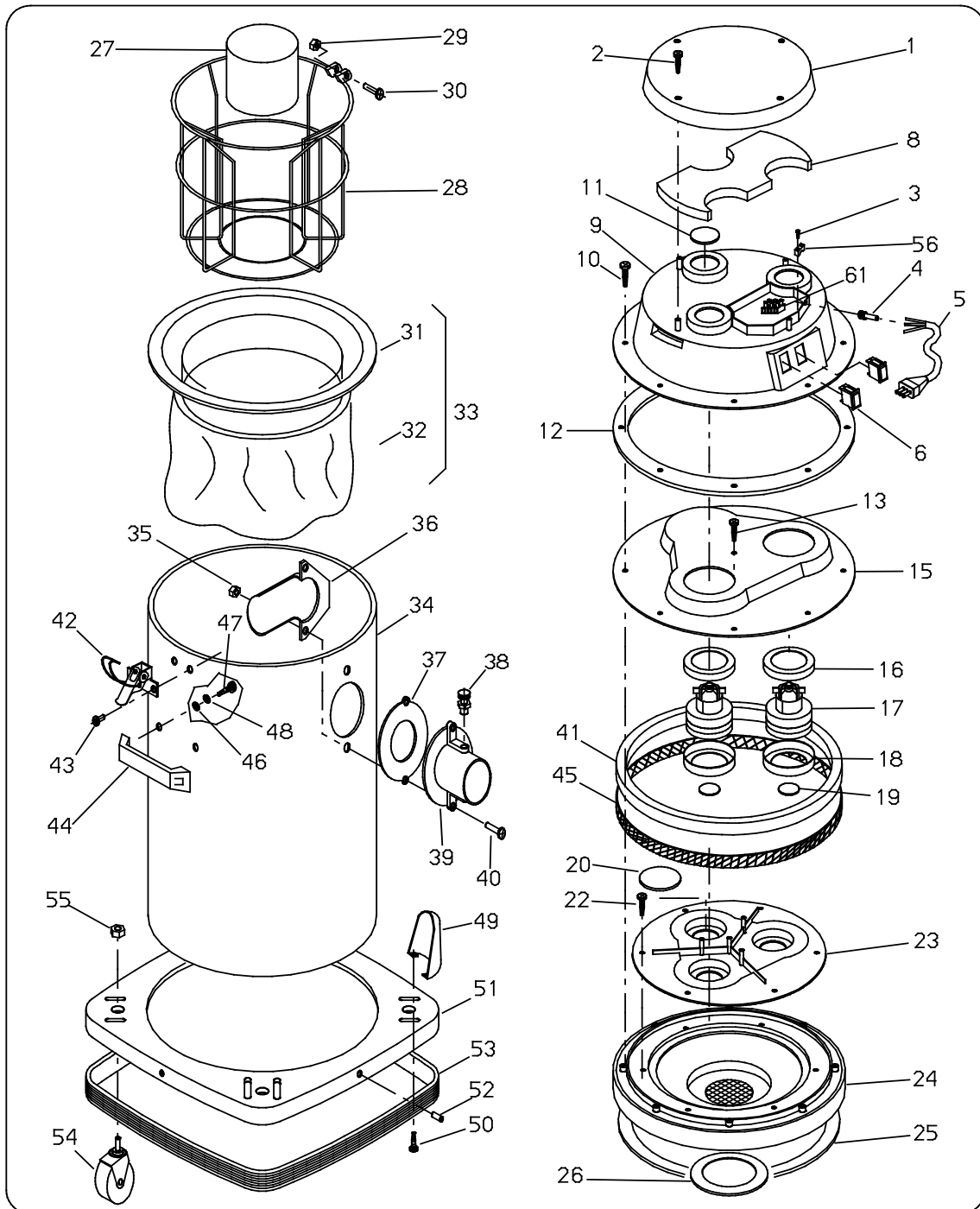


# F39F1

ASPIRAPOLVERE/ASPIRALIQUIDI FIBEL 380/2 - WET&DRY VACUUM  
 CLEANER FIBEL 380/2 - ASPIRATEUR EAU/POUSSIERE FIBEL  
 380/2- STAUB WASSER SAUGER FIBEL 380/2



N.Posit	Code	Qta	Descrizione	Description	Description	Bezeichnung
F39.A.01	CZ004*	1	COPERCHIO	COVER	COUVERCLE	DECKEL
F39.A.02	VA323	4	VITE FIL.RAP.5x16 TC S/PUNTA	SCREW	VIS	SCHRAUBE
F39.A.03	VA261	2	VITE AUTOFIL.TC CROCE 3,5x19	SCREW	VIS	SCHRAUBE
F39.A.04	PY309	1	PASSACAPO IN GOMMA NERA	BLACK RUBBER FAIRLEAD	PASSECCABLE NOIR	KABELDURCHGANG
F39.A.05	PY999*	1	CAVO ELETTRICO	ELECTRIC CABLE	CABLE ELECTRIQUE	ELEKTR. KABEL
F39.A.06	IN010	2	INTERRUTTORE	ON/OFF SWITCH	INTERRUPTEUR	SCHALTER
F39.A.08	FO006	1	MAT. POLIESTIC	POLIESTIC MAT.	MAT. POLIESTIC	POL. KUNSTSTOFF
F39.A.09	CU010*	1	CALOTTA COPRI MOTORE D.420 2 FORI	COVER MOTOR	CALOTTE	MOTORKAPPE
F39.A.10	VA326	8	VITE FIL.RAP.5x25 TC S/PUNTA	SCREW	VIS	SCHRAUBE
F39.A.11	TO002	1	TAPPO CALOTTA COPRI MOTORE	DOVE PLUG	BOUCHON	STOPFEN
F39.A.12	FO001	1	MAT. POLIESTIC	POLIESTIC MAT.	MAT. POLIESTIC	POL. KUNSTSTOFF
F39.A.13	VA326	4	VITE FIL.RAP.5x25 TC S/PUNTA	SCREW	VIS	SCHRAUBE
F39.A.15	DF004	1	DISCO FERMA MOTORE D.420 2 FORI	DISC	DISQUE	SCHEIBE
F39.A.16	GR072	2	GUARNIZIONE A L 145x3.5	GASKET	JOINT	DITHTUNG
F39.A.17	MO999*	2	MOTORE ASPIRAZIONE	SUCTION MOTOR	MOTEUR ASPIRATION	ANSAUGMOTOR
F39.A.18	GR072	2	GUARNIZIONE A L 145x3.5	GASKET	JOINT	DITHTUNG
F39.A.19	TO004	2	VALVOLA MOTORE	MOTOR VALVE	SOUPAPE	MOTORVENTIL
F39.A.20	TO003	1	TAPPO BRIGLIA PORTA MOTORE	BRIDLE PLUG	BOUCHON	STOPFEN
F39.A.22	VA322	6	VITE FIL.RAP.5x13 TC S/PUNTA	SCREW	VIS	SCHRAUBE
F39.A.23	DF005	1	DISCO PORTA MOTORI D.420	ADAPTER LOWER	DISQUE	SCHEIBE
F39.A.24	CB004*	1	CALOTTA BASE D.420	CAP BASE D.420	CALOTTE	KAPPE
F39.A.25	GO010	1	GUARNIZIONE CALOTTA BASE D.420	DOVE GASKET	GARNITURE	KAPPEDICHTUNG
F39.A.26	GO009	1	GUARNIZIONE GALLEGGIANTE	GASKET-SHUT OF CAM	GARNITURE	SCHWIMMERDICHTUNG
F39.A.27	GE003	1	GALLEGGIANTE	CAN-SHUT OFF	FLOTTEUR	SCHWIMMER
F39.A.28	CL005	1	CESTELLO h=345	CAGE-SHUT OFF h=345	PANIER	KASTEN
F39.A.29	DD203	1	DADO M5 UNI 5588/65	NUT	ECROU	MUTTER
F39.A.30	VC218	1	VITE CILIN.CROCE M5x45	SCREW M5x45	VIS	SCHRAUBE
F39.A.31	AN004	1	ANELLO FILTRO D.420	FILTER RING D.420	BAGUE FILTRE	FILTERRING
F39.A.32	SF005	1	SACCO FILTRO h=360	FILTER BAG	SAC FILTRE	FILTERBEUTEL
F39.A.33	KF006	1	ASSEMBLAGGIO FILTRO D.420x360	FILTER BAG ASSEMBLY	ASSEMBL. FILTRE	FILTERZUSAMMENBAU
F39.A.34	CN008	1	FUSTO INOX D.420x600	INOX TANK D.420x600	CUVE INOX	SCHAFT
F39.A.35	DD204	2	DADO M6 UNI 5588/65	NUT	ECROU	MUTTER
F39.A.36	DL001	1	DEFLETTORE IN PVC D.40	DEFLECTOR-INTAKE	DEFLECTEUR	LAPPE
F39.A.37	GO004	1	GUARNIZIONE BOCCHETTONE D.40	GASKET-TANK INTAKE	GARNITURE	STUTZENDICHTUNG
F39.A.38	SE001	1	SALTERELLO	DISCONNECT PIN ASSEMB	SAUTEUR	FALLKLINKE
F39.A.39	BC002	1	BOCCHETTONE D.40	ADAPTOR-TANK INTAKE	GOULOTTE	STUTZEN
F39.A.40	VC223	2	VITE CILIN.CROCE M6x20	SCREW	VIS	SCHRAUBE
F39.A.41	FO003	1	MAT. POLIESTIC	POLIESTIC MAT.	MAT. POLIESTIC	POL. KUNSTSTOFF
F39.A.42	CC004	2	GANCIO ZINGATO	GALVANIZED HOOK	CROCHET ZINGUE	VERZINKTER HAKEN
F39.A.43	RV001	4	RIVETTO 4,8x7 TESTA OVALE	RIVET	RIVET	NIET
F39.A.44	GG002	2	MANIGLIA IN PLASTICA	PLASTIC HANDLE	POIGNEE	KUNSTSTOFFGRIFF
F39.A.45	FO002	1	RETINA IN ALLUMINIO	ALLUMINIUM NET	FILET	NETZ
F39.A.46	GO007	4	GUARNIZIONE VITE	SCREW GASKET	GARNITURE	SCHRAUBENDICHTUNG
F39.A.47	VA242	4	VITE AUTOFIL.FIL.RAP.5,5x16	SCREW	VIS	SCHRAUBE
F39.A.48	RO305	4	RONDELLA SLARGATA 6x24	WASHER	RONDELLE	SCHEIBE
F39.A.49	TO005	4	COPERCHIO ANGOLARE	COVER	COUVERCLE	DECKEL
F39.A.50	VA222	8	VITE AUTOFILETT.4,8x13	SCREW	VIS	SCHRAUBE
F39.A.51	BR007	1	CARRELLO BASE D.420	TRUCK BASE D.320	BASE CHARIOT	WAGENUNTERLEGUNG
F39.A.52	VG021	4	GRANO M6x10 UNI 5927/67	DOWEL	GRAIN	DUEBEL
F39.A.53	BU003	1	BUMPER C 1460	BUMPER C.1460	GARDE-BOUE	PUFFER C.1460
F39.A.54	RT021	4	RUOTA PIVOTTANTE	CASTER PIVOT	ROUE	RAD
F39.A.55	DD255	4	DADO AUTOBLOCCANTE M10	SELF-LOCKING NUT	ECROU DE SURETE	MUTTER
F39.A.56	PY252	1	FERMACAVO IN PLASTICA GRANDE	U BOLT	BARRETTE	BUEGELBOLZEN
F39.A.61	PY182	1	MORSETTIERA MAMMUT 3 POLI PA44	TERMINAL BOARD MAMMUT	BORNIER	KLEMMBRETT

### Ing. O. FIORENTINI s.r.l.

Sede e Stabilimenti: **50030 PIANCALDOLI** - Loc. ROMBOLA (Firenze) Tel.055/8173610 - Fax 055/817144

**50030 PIETRAMALA** - Via del Molino (Firenze) Tel. 055/813447

Filiale: **00155 ROMA** - Via Carlo Carrà, 13  
Tel.06/22754040/60 - Fax 06/22754065

Filiale: **20132 MILANO** - Via Palmanova, 211/A  
Tel.02/27207783 - 2564810 - Fax 02/2592779

E-mail: [inform@ingfiorentini.it](mailto:inform@ingfiorentini.it) - [sales@ingfiorentini.it](mailto:sales@ingfiorentini.it) - [www.ingfiorentini.it](http://www.ingfiorentini.it)