

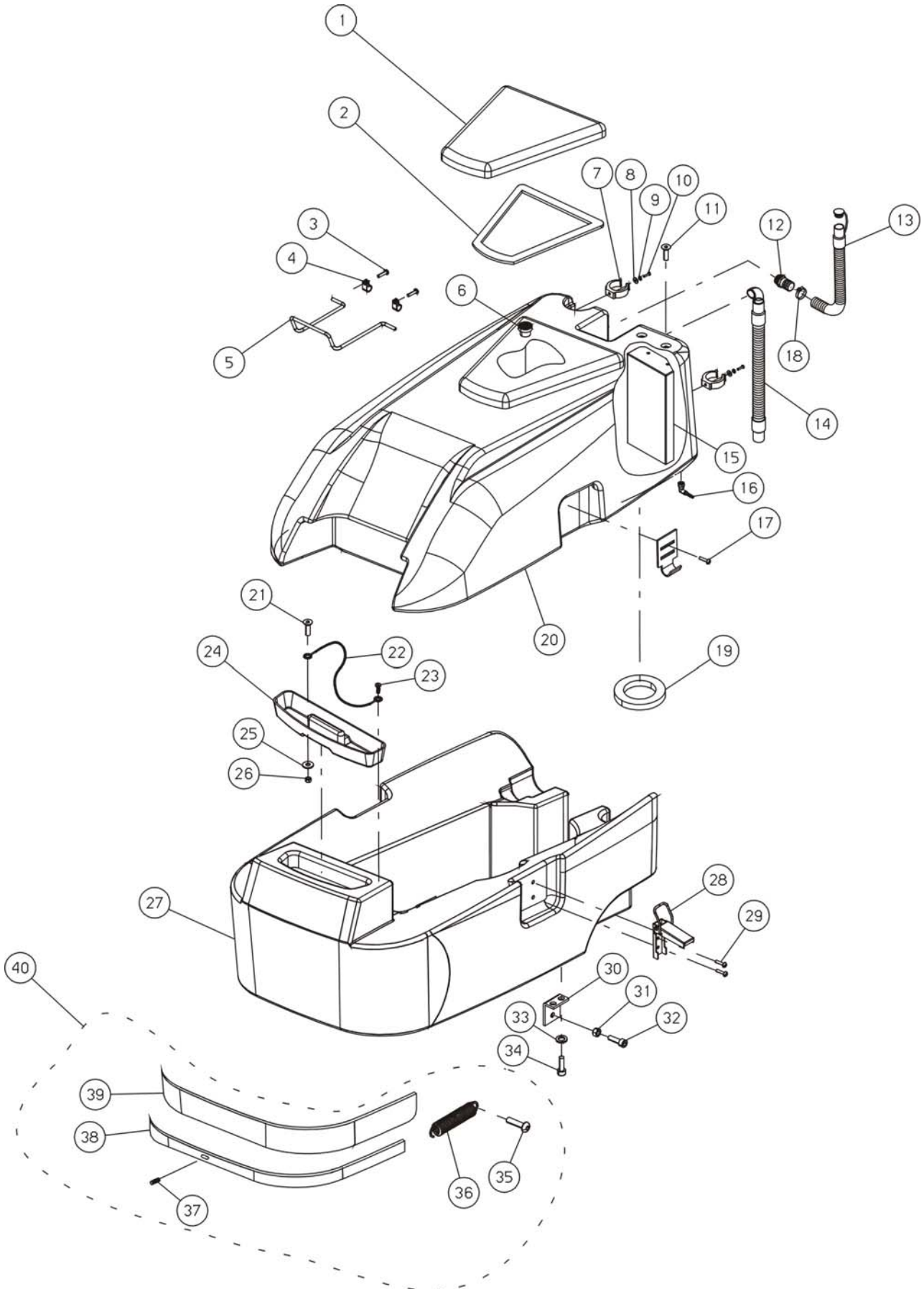


DELUX350CUE

PARTI DI RICAMBIO
SPARE PARTS
PIECES DETACHEES
ERSATZTEILE

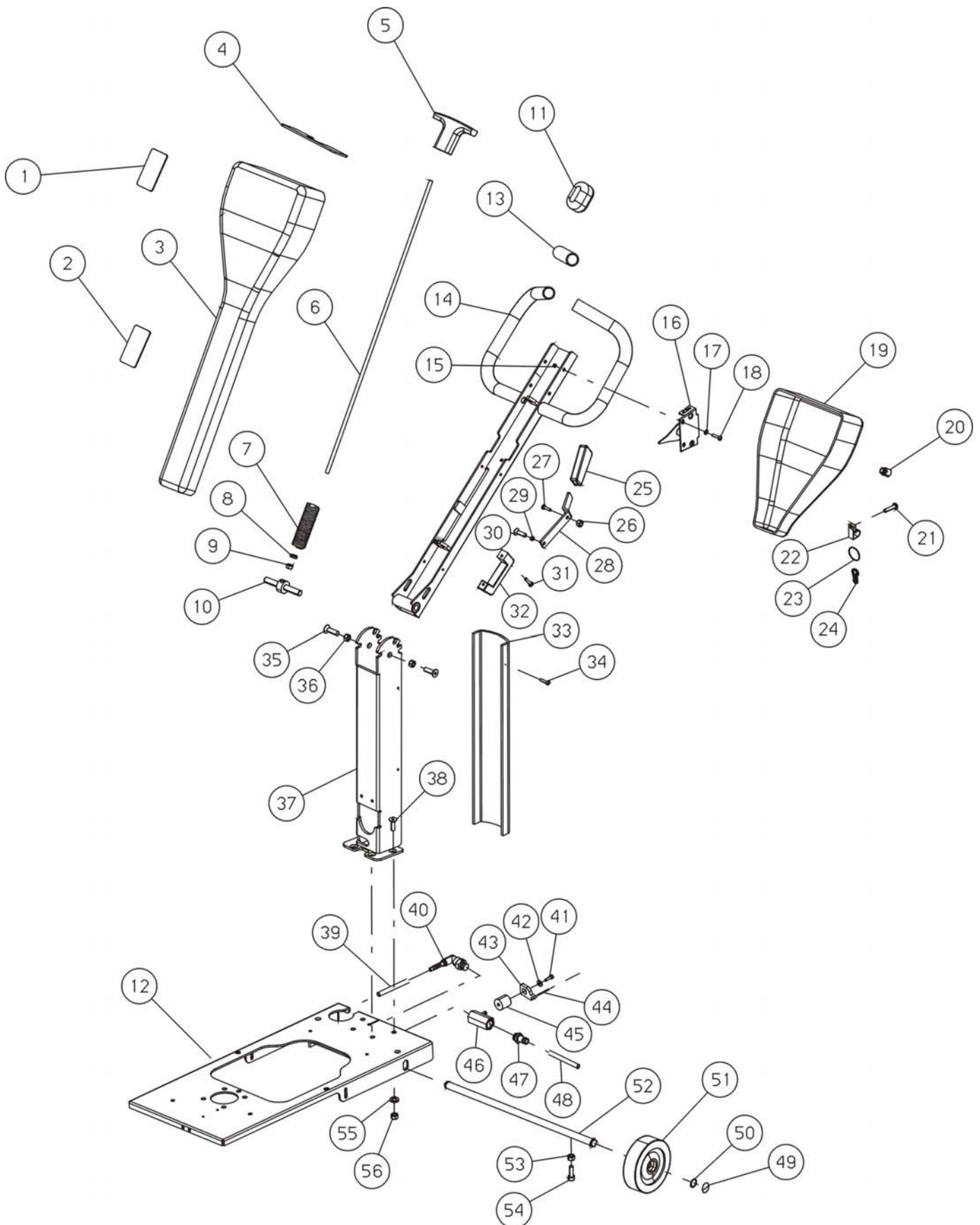


ING. O. FIORENTINI
INDUSTRIAL CLEANING MACHINE



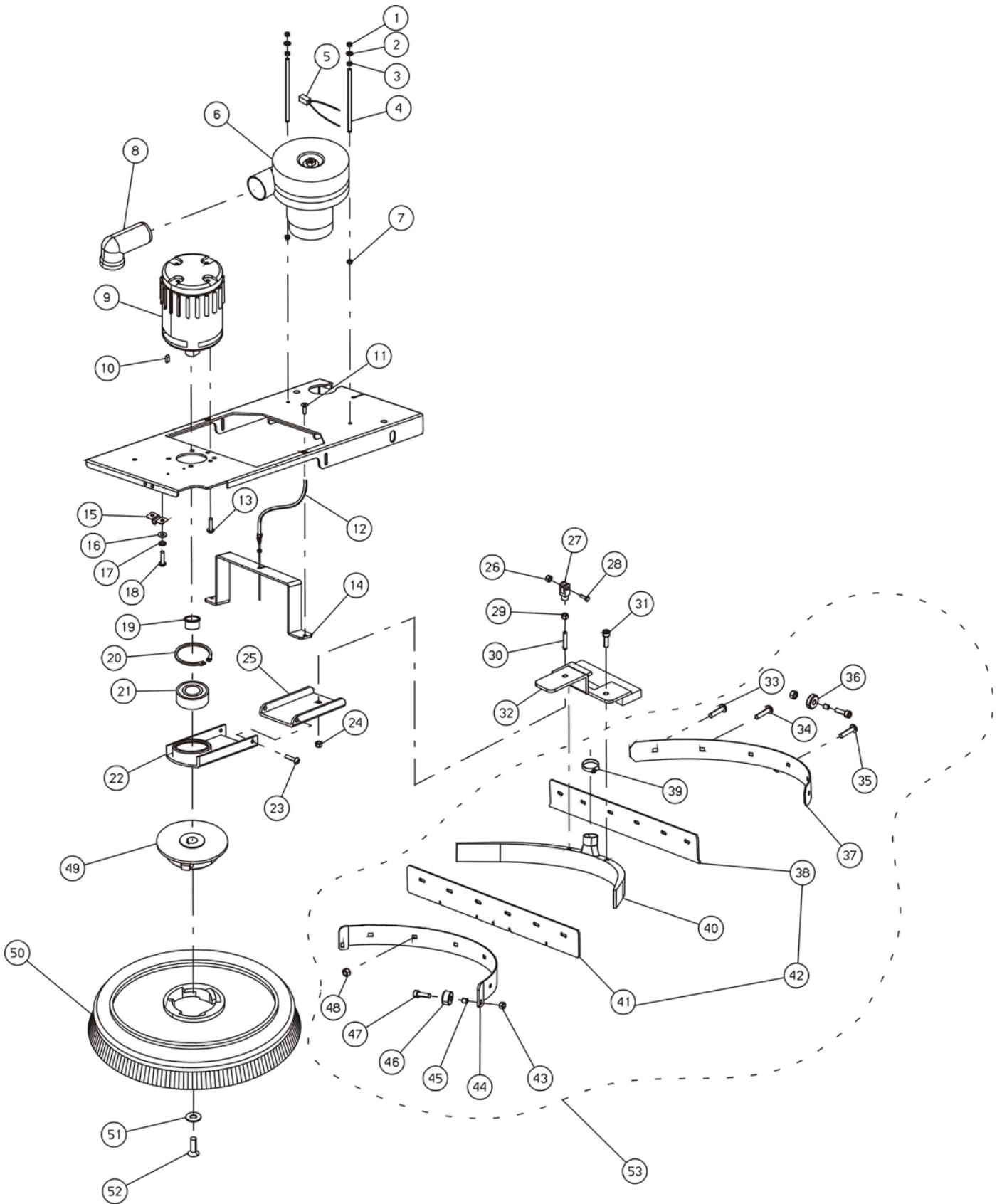


N.Position	Code Num	Qta	Descrizione	Description	Description	Bezeichnung
CUE.01.001	CO257	1	COPERCHIO SERBATOIO RECUPERO	SOLUTION TANK COVER	COUVERCLE RESERVOIR S	LOESUNGSTANKDECKEL
CUE.01.002	GR187	1	GUARNIZIONE INTERNA COPERCHIO	GASKET	GARNITURE COUVERCLE	DICHTUNG
CUE.01.003	VA422	2	VITE AUTOFIL. TC 4,8x13 UNI 6954/71	SCREW	VIS	SCHRAUBE
CUE.01.004	MI372	2	SERRACAVO IN NYLON 6,4 MM.	TERMINAL SCREW	SERRE-CABLE EN NYLON	NYLON KABELSCHELLE
CUE.01.005	ML193	1	MOLLA APERTURA COPERCHIO DELUX350	COVER SPRING	RESSORT COUVERCLE	FEDER FUER DECKEL
CUE.01.006	FT005	1	FILTRO MOTORE ASPIRAZIONE	SUCTION MOTOR FILTER	FILTRE	FILTER
CUE.01.007	ML186	2	CLIPS FISSA TUBO IN ACCIAIO D=32mm	SPRING	RESSORT	FEDER
CUE.01.008	RO465	2	RONDELLA SLARGATA 5x25	WASHER	DOUILLE	SCHEIBE
CUE.01.009	RO453	2	ROSETTA SPACCATA D.5 UNI 1751 INOX	WASHER	RONDELLE	SCHEIBE
CUE.01.010	VC410	2	VITE CILIN.CROCE M5x12 UNI 7687 INO	SCREW	VIS	ZYLINDERSCHRAUBE
CUE.01.011	VS413	2	VITE SVASATA TC M5x12 UNI 7688 INOX	SCREW	VIS	SENKSCHEIBE
CUE.01.012	RC209	1	RACCORDO PORTAGOMMA 3/4"G IN PLASTI	FITTING	RACCORD	ANSCHLUSS
CUE.01.013	TB343	1	TUBO SCARICO RECUPERO C/TAPPO	DISCHARGE PIPE	TUYAU DECHARGEMENT	ROHR
CUE.01.014	TB375	1	TUBO SQUEEGEE	SQUEEGEE PIPE	TUYAU SUCEUR	SAUGFUSSROHR
CUE.01.015	ST170	1	STAFFA INTERNA SERBATOIO	TANK FLASK	ETRIER	TANKSTANGE
CUE.01.016	RC024	1	RACCORDO TUBO 3/8 M P/GOMMA 12 A 90	CONNECTOR	RACCORD	ANSCHLUSS
CUE.01.017	VC411	4	VITE CILIN.CROCE M5x8 UNI 7687 INOX	SCREW	VIS	ZYLINDERSCHRAUBE
CUE.01.018	FS046	1	FASCETTA 20-32 INOX	CLAMP	BANDE	SCHELLE
CUE.01.019	GR036	1	GUARNIZIONE MOTORE ASPIRAZIONE	SUCTION MOTOR GASKET	GARNITURE	DICHTUNG
CUE.01.020	SB202AR	1	SERBATOIO RECUPERO ARANCIONE	RECOVERY TANK	RESERVOIR DECHANGEMEN	SCHMUTZWASSERTANK
CUE.01.020	SB202B	1	SERBATOIO RECUPERO BLU 521	RECOVERY TANK	RESERVOIR DECHANGEMEN	SCHMUTZWASSERTANK
CUE.01.020	SB202BO	1	SERBATOIO RECUPERO BOURDEAUX	RECOVERY TANK	RESERVOIR DECHANGEMEN	SCHMUTZWASSERTANK
CUE.01.020	SB202G	1	SERBATOIO RECUPERO GIALLO 141	RECOVERY TANK	RESERVOIR DECHANGEMEN	SCHMUTZWASSERTANK
CUE.01.020	SB202R	1	SERBATOIO RECUPERO ROSSO 325	RECOVERY TANK	RESERVOIR DECHANGEMEN	SCHMUTZWASSERTANK
CUE.01.021	VS404	1	VITE SVASATA T/C M4x12 UNI 7688 INO	SCREW	VIS	ZYLINDERSCHRAUBE
CUE.01.022	MV100	1	CAVO DI FISSAGGIO	CABLE	CABLE	BEFESTIGUNGSKABEL
CUE.01.023	VC411	1	VITE CILIN.CROCE M5x8 UNI 7687 INOX	SCREW	VIS	ZYLINDERSCHRAUBE
CUE.01.024	CO258	1	COPERCHIO SERBATOIO SOLUZIONE	RECOVERY TANK CAP	COUVERCLE RESERVOIR D	DECKEL
CUE.01.025	RO401	1	ROSETTA DIAM. 4 UNI 6592/69 INOX	INOX WASHER	RONDELLE	SCHEIBE
CUE.01.026	DD451	1	DADO AUTOBLOCCANTE M4 INOX UNI 7473	NUT	ECROUE DE SURETE	SELBSTSICHERNDE SCHRA
CUE.01.027	SB203BO	1	SERBATOIO SOLUZIONE BOURDEAUX	SOLUTION TANK	RESERVOIR SOLUTION	FRISCHWASSERTANK
CUE.01.027	SB203G	1	SERBATOIO SOLUZIONE GRIGIO 723	SOLUTION TANK	RESERVOIR SOLUTION	FRISCHWASSERTANK
CUE.01.027	SB203R	1	SERBATOIO SOLUZIONE ROSSO 325	SOLUTION TANK	RESERVOIR SOLUTION	FRISCHWASSERTANK
CUE.01.027	SB203S	1	SERBATOIO SOLUZIONE GRIGIO ANTRACIT	SOLUTION TANK	RESERVOIR SOLUTION	FRISCHWASSERTANK
CUE.01.028	CC025	1	GANCIO IN METALLO CHIUSURA SERBATOI	HOOK	CROCHET	VERZINKTER HAKEN
CUE.01.029	VC411	4	VITE CILIN.CROCE M5x8 UNI 7687 INOX	SCREW	VIS	ZYLINDERSCHRAUBE
CUE.01.030	LM067	2	SQUADRO LEVA RINVIO TIRANTE SOLUZIO	SHEET	EQUERRE	WINKEL
CUE.01.031	DD451	2	DADO AUTOBLOCCANTE M4 INOX UNI 7473	NUT	ECROUE DE SURETE	SELBSTSICHERNDE SCHRA
CUE.01.032	VB484	2	VITE TESTA BOMB CN ROND.M6x16 INOX	SCREW	VIS	ZYLINDERSCHRAUBE
CUE.01.033	RO454	4	RONDELLA SPACCATA DIAM. 6 UNI 1751	WASHER	RONDELLE	SCHEIBE
CUE.01.034	VB418	4	VITE CIL.BRUGOLA M6x16 UNI5931-77 I	SCREW	VIS	ZYLINDERSCHRAUBE
CUE.01.035	VC413	2	VITE CILIN.CROCE M5x16 UNI 7687 INO	SCREW	VIS	ZYLINDERSCHRAUBE
CUE.01.036	ML132	2	MOLLA TENDICINGHIA	SPRING	RESSORT	FEDER
CUE.01.037	VG023	1	GRANO M5X16 UNI 5927/67	DOWEL	GRAIN	DUEBEL
CUE.01.038	LM692	1	LISTELLO BUMPER PER DELUX350	BUMPER	CAOUTHOU AVANT	VORDERGUMMI
CUE.01.039	BP390	1	BUMPER FRONTALE DELUX350CU	FRONT BUMPER DELUX350	CAOUTHOU AVANT	VORDERGUMMI
CUE.01.040	KIT1045	1	KIT BUMPER SPAZZOLE DELUX350CU	KIT FRONT BUMPER	KIT	KIT



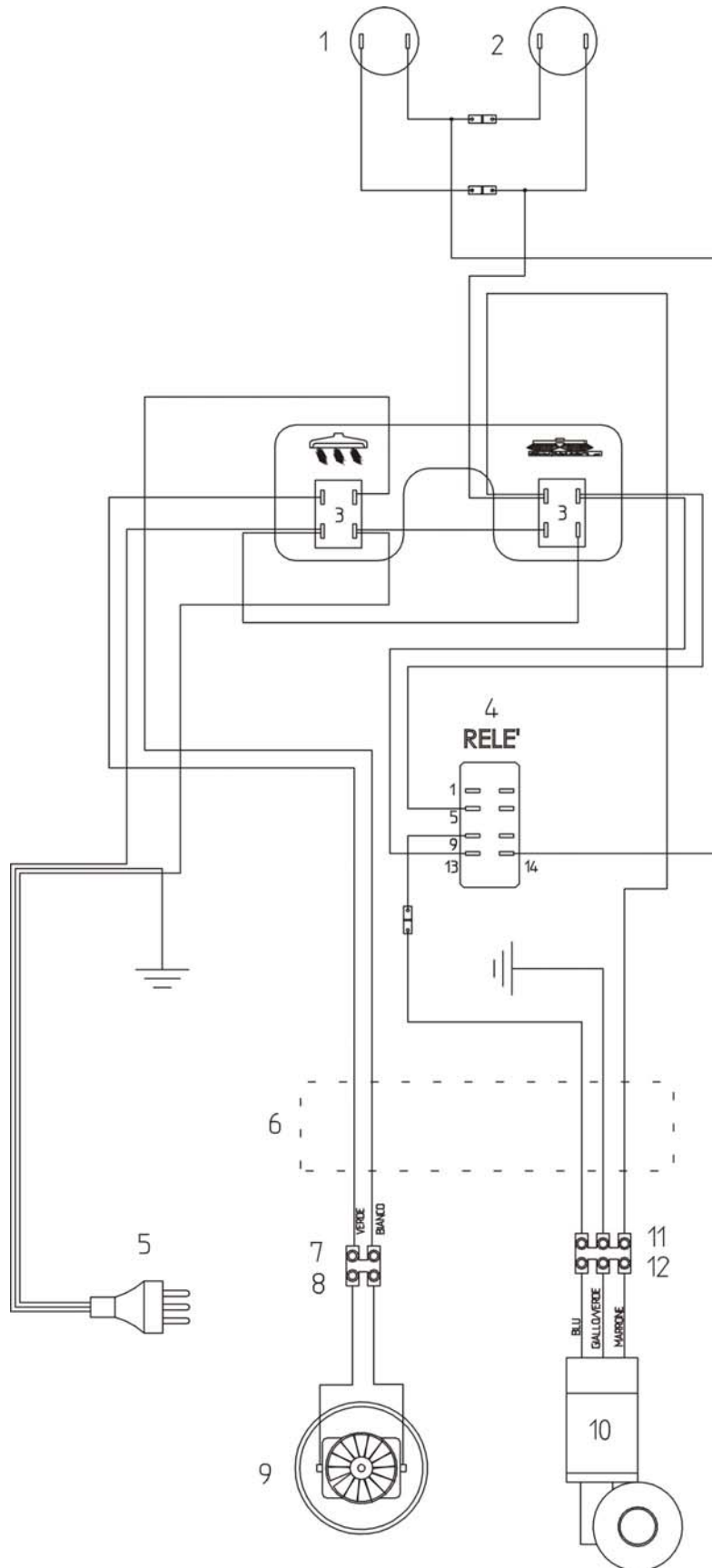


N.Position	Code Num	Qta	Descrizione	Description	Description	Bezeichnung
CUE.02.001	TG196	1	TARGHETTA RUBINETTO SOLUZIONE	DASHBOARD STICKER	ADESIVE TABLEAU DE BO	TAFELSCHILDCHEN
CUE.02.002	TG195	1	TARGHETTA ALZA-ABBASSA SQUEEGE	LABEL FOR SQUEEGEE UP	PLAQUE	GEFAHRSSCHILD
CUE.02.003	CO277	1	COPERCHIO MANICO SUPERIORE DELUX350	UPPER HANDLE COVER	COUVERCLE POIGNEE SUP	DECKEL FUER GRIFF OBE
CUE.02.004	TG148	1	TARGHETTA PLANCIA SUPERIORE	UPPER DASHBOARD STICK	ADESIF TABLEAU DE BOR	OBENTAFELSCHILDCHEN
CUE.02.005	VP079	1	POMELLO A T M6	T-KNOB	POIGNEE	T-KNOPF
CUE.02.006	MV133	1	TRAFILA REGOLAZIONE MANICO	HANDLEBAR THREADED BA	FILIERE POIGNEE	GEWINDESTANGE
CUE.02.007	ML019	1	MOLLA	SPRING	RESSORT	FEDER
CUE.02.008	RO503	1	ROSETTA SLARGATA D.6x24 UNI6592/69	STAINLESS STEEL WASHE	RONDELLE	SCHEIBE
CUE.02.009	DD404	1	DADO M6 UNI 5588 INOX	STAINLESS STEEL NUT	ECROU	MUTTER
CUE.02.010	PE336	1	PERNO FISSAGGIO MANICO DELUX350	PIN	PIVOT	STIFT
CUE.02.011	ML019	1	MOLLA	SPRING	RESSORT	FEDER
CUE.02.012	TP176	1	TELAIO BASE PER DELUX350CUE	MAIN FRAME	CHASSIS	HAUPTRAHAME
CUE.02.013	MN065	2	MANOPOLA CON FORO ART.738	HAND GRIP	POIGNEE	KNOFF
CUE.02.013	MN058	2	MANOPOLA IN GOMMA (OPTIONAL)	HAND GRIP	POIGNEE	KNOFF
CUE.02.014	MN107	1	MANICO SUPERIORE DELUX350CU	UPPER HANDLEBAR	POIGNEE SUPERIEURE	HANDGRIFF OBEN
CUE.02.015	DD403	4	DADO M5 UNI 5588/65 INOX	INOX NUT	ECROU	MUTTER
CUE.02.016	MI307	1	LEVA COMANDO ALZA SQUEEGEE/PIATTO	SQUEEGEE/PLATE LEVER	LEVIER SUCEUR/PLATEAU	SAUGFUSS- UND PLATTEH
CUE.02.017	RO453	2	ROSETTA SPACCATA D.5 UNI 1751 INOX	WASHER	RONDELLE	SCHEIBE
CUE.02.018	VC413	2	VITE CILIN.CROCE M5x16 UNI 7687 INO	SCREW	VIS	ZYLINDERSCHRAUBE
CUE.02.019	CO256	1	COPERCHIO IMPIANTO ELETTRICO	ELECTRIC SYSTEM COVER	COUVERCLE INSTALLATIO	ELEKTROANLAGEDECKEL
CUE.02.020	PY754	1	PASSACAVO PG9	FAIRLEAD PG9	PASSE-CABLE PG9	LIPPKLAMPE
CUE.02.021	VB465	1	VITE TESTA BOMBATA M5x16 INOX	SCREW	VIS	SCHRAUBE
CUE.02.022	MI319	1	CAVALLOTTO PER CAVO DI 13 FORO VITE	RING	PONT	BUEGELBOLZEN
CUE.02.023	MI318	1	ANELLO DIAMETRO 30mm MODELLO CHIUSO	30mm DIAM. RING-CLOSE	BAGUE	RING
CUE.02.024	MI001	1	MOSCHETTO	CATCH	MOUSQUETON	KARABINIERHAKEN
CUE.02.025	VP055	1	MANOPOLA 20X4	KNOB	POIGNEE	KNOFF
CUE.02.026	DD404	1	DADO M6 UNI 5588 INOX	STAINLESS STEEL NUT	ECROU	MUTTER
CUE.02.027	VE444	1	VITE ESAGONALE M6x20 UNI 5739 INOX	SCREW	VIS	SECHSECKIGE SCHRAUBE
CUE.02.028	LV420	1	LEVA ALZA SQUEEGEE OSCILLANTE	SQUEEGEE LEVER	LEVIER SUCEUR	SAUGFUSSHEBEL
CUE.02.029	BO268	1	BOCCOLA LEVA ALZA SQUEEGEE DELUX350	BUSH	DOUILLE	BUCHSE
CUE.02.030	VV430	1	VITE SVAS.BRUGOLA M6x16 UNI5931 INO	COUNTERSUNK SCREW	VIS	SENKSCHRAUBE
CUE.02.031	VE443	2	VITE ESAGONALE M6x16 UNI 5737/77 IN	HEXAGONAL SCREW	VIS	SECHSECKIGE SCHRAUBE
CUE.02.032	GG001	1	MANIGLIA	THREADED HANDLE	POIGNEE FILETEE	GRIFF
CUE.02.033	CO306	1	COPERCHIO MANICO INFERIORE	LOWER HANDLEBAR	COUVERCLE POIGNEE INF	DECKEL FUER GRIFF UNT
CUE.02.034	VS410	4	VITE SVASATA T/C M4x10 UNI 7688 INO	SCREW	VIS	SENKSCHRAUBE
CUE.02.035	VV464	2	VITE SVAS.BRUGOLA M10X16 UNI5933/77	SCREW	VIS	SCHRAUBE
CUE.02.036	DD406	2	DADO M10 UNI 5588-65 INOX	INOX NUT	ECROU	MUTTER
CUE.02.037	MN108	1	MANICO INFERIORE DELUX350CU	LOWER HANDLEBAR	POIGNEE INFERIEURE	HANDGRIFF UNTEN
CUE.02.038	VV441	4	VITE SVAS.BRUGOLA M8x20 UNI 5933/77	SCREW	VIS	SCHRAUBE
CUE.02.039	TB028	1	TUBO D.10 l.mm.500	PIPE	TUYAU	ROHR
CUE.02.040	RC024	1	RACCORDO TUBO 3/8 M P/GOMMA 12 A 90	CONNECTOR	RACCORD	ANSCHLUSS
CUE.02.041	WB010	1	VITE BRUGOLA CIL.10-24x3/8" BRUNITA	SCREW	VIS	SCHRAUBE
CUE.02.042	RO500	1	RONDELLA SLARG.D.5X15 UNI6592/69 IN	INOX WASHER	RONDELLE	SCHEIBE
CUE.02.043	LV396	1	LEVA APERTURA RUBINETTO	COCK LEVER	LEVIER ROBINET	HAHNHEBEL
CUE.02.044	MI303	1	CAVO APERTURA ACQUA SOLUZIONE	CABLE	CABLE	KABEL
CUE.02.045	DT053	1	DISTANZIALE RUBINETTO	VALVE SPACER	ENTRETOISE	DISTANZSTUECK
CUE.02.046	RB005	1	RUBINETTO SOLUZIONE F/F 3/8G L=41mm	VALVE	ROBINET	LOESUNGSHAHN
CUE.02.047	RC217	1	RACCORDO PORTAG 3/8 MASCHIO P/GOMMA	UNION	RACCORD	VERBINDUNG
CUE.02.048	TB027	1	TUBO D.10 l.mm.380	PIPE	TUYAU	ROHR
CUE.02.049	MI311	1	COPRIMOZZO PER RT180	PLASTIC COVER	PROTECTION EN PLASTIQ	PLASTIKSCHUTZ
CUE.02.050	SG005	2	ANELLO SEEGER PER EST.DIAM 12 UNI 7	RING	SEEGER	SEEGERRING
CUE.02.051	RT180	2	RUOTA POSTERIORE D=150	REAR WHEEL	ROUE ARRIERE	RUECKRAD
CUE.02.052	AL137	1	ASSALE RUOTE PER DELUX350	AXLE	ESSIEU ROUES	RADWELLE
CUE.02.053	DD403	2	DADO M5 UNI 5588/65 INOX	INOX NUT	ECROU	MUTTER
CUE.02.054	VS416	2	VITE SVASATA TC M5X30 UNI 7688 INOX	SCREW	VIS	SCHRAUBE
CUE.02.055	RO455	4	RONDELLA SPACCATA DIAM. 8 UNI 1751A	WASHER	RONDELLE	SCHEIBE
CUE.02.056	DD454	4	DADO AUTOBLOCCANTE M8 INOX	SELFLOCKING NUT	ECROU DE SURETE	SICHERUNGSMUTTER





N.Position	Code Num	Qta	Descrizione	Description	Description	Bezeichnung
CUE.03.001	DD453	2	DADO AUTOBLOCCANTE M6 INOX	INOX SELF-LOCKING NUT	ECROU DE SURETE	SICHERUNGSMUTTER
CUE.03.002	RO501	2	RONDELLA SLARG.D.6X18 UNI6592/69 IN	WASHER	RONDELLE	SCHEIBE
CUE.03.003	DD404	2	DADO M6 UNI 5588 INOX	STAINLESS STEEL NUT	ECROU	MUTTER
CUE.03.004	MV138	2	TRAFILA MOTORE ASPIRAZIONE	SUCTION ENGINE THREAD	FILIERE MOTEUR ASPIRA	GEWINDE STANGE FUER A
CUE.03.005	MP256	2	CARBONCINO x MOTORE MO216 230V	BRUSH FOR MOT.MO216	CHARBON MOT. MO216	KOEHLE
CUE.03.006	MO216	1	MOTORE ASPIRAZIONE 230V 50Hz 550W C	SUCTION MOTOR 230V 50	MOTEUR ASPIRATION	ANSAUGMOTOR
CUE.03.007	DD403	2	DADO M5 UNI 5588/65 INOX	INOX NUT	ECROU	MUTTER
CUE.03.008	RC252	1	RACCORDO 90 GRADI PLASTICA MOTORE A	UNION	RACCORD	ANSCHLUSS
CUE.03.009	MO419	1	MOTORIDUTTORE SPAZZOLE A 220V 370W	BRUSHES REDUCTION GEA	REDUCTEUR BROSSES	GETRIEBEMOTOR
CUE.03.010	CH022	1	LINGUETTA 6x6x20 UNI6604-A	TONGUE	CLAVETTE	PASSFEDER
CUE.03.011	VV430	2	VITE SVAS.BRUGOLA M6X16 UNI5931 INO	COUNTERSUNK SCREW	VIS	SENKSCHRAUBE
CUE.03.012	MI369	1	CAVO SOLLEVAMENTO ALZA-SQUEEGEE	CABLE	CABLE	KABEL
CUE.03.013	VB483	5	VITE TESTA BOMB CN ROND.M6x12 INOX	SCREW	VIS	ZYLINDERSCHAUBE
CUE.03.014	SU653	1	SUPPORTO CAVO ALZA SQUEEGEE	SQUEEGEE CABLE	SUPPORT SUCEUR	SAUGFUSSTUETZE
CUE.03.015	MI079	1	CAVALLOTTO D.13MM	SUPPOR	PONT	BUEGELBOLZEN
CUE.03.016	RO401	2	ROSETTA DIAM. 4 UNI 6592/69 INOX	RING	RONDELLE	SCHEIBE
CUE.03.017	RO452	2	ROSETTA SPACCATA D.4 UNI 1751 INOX	INOX WASHER	RONDELLE	SCHEIBE
CUE.03.018	VC442	2	ROSETTA SPACCATA D.4 UNI 1751 INOX	WASHER	RONDELLE	SCHEIBE
CUE.03.018	VC442	2	VITE CILIN.CROCE M4x6 INOX	SCREW	VIS	ZYLINDERSCHAUBE
CUE.03.019	BO245	1	BOCCOLA DI RIDUZIONE ALBERO MOTORE	BUSHING	BOITE D'ESSIEU	BUCHSE
CUE.03.020	SG065	1	ANELLO SEEGER PER INT.DIAM.42 UNI	O-RING	SEGER	SEEGERRING
CUE.03.021	CS005	1	CUSCINETTO A SFERE 6004 2RS1	BALL BEARING	ROULEMENT A BILLES	KUGELLAGER
CUE.03.022	SU652	1	SUPPORTO ALBERO MOTORE SPAZZOLA	SUPPORT	SUPPORT	SAUGFUSSTUETZE
CUE.03.023	VC411	2	VITE CILIN.CROCE M5x8 UNI 7687 INOX	SCREW	VIS	ZYLINDERSCHRAUBE
CUE.03.024	DD453	1	DADO AUTOBLOCCANTE M6 INOX	INOX SELF-LOCKING NUT	ECROU DE SURETE	SICHERUNGSMUTTER
CUE.03.025	LM680	1	LAMIERA SUPERIORE OSCILLANTE SQUEEG	SHEET	TOLE	BLECH
CUE.03.026	DD453	1	DADO AUTOBLOCCANTE M6 INOX	INOX SELF-LOCKING NUT	ECROU DE SURETE	SICHERUNGSMUTTER
CUE.03.027	SN001	1	SNODO (forcella) M6	JOINT	JOINT M6	GELENK
CUE.03.028	VE444	1	VITE ESAGONALE M6x20 UNI 5739 INOX	SCREW	VIS	SECHSECKIGE SCHRAUBE
CUE.03.029	DD404	1	DADO M6 UNI 5588 INOX	STAINLESS STEEL NUT	ECROU	MUTTER
CUE.03.030	MI121	1	PRIGIONIERO M6X35 15/15	THREAD	TREFILE	GEWINDESTIFT
CUE.03.031	VB484	2	VITE TESTA BOMB CN ROND.M6x16 INOX	SCREW	VIS	ZYLINDERSCHAUBE
CUE.03.032	SU692	1	SUPPORTO SQUEEGEE C/CONTRAPPESO	SQUEEGEE SUPPORT	SUPPORT SUCEUR	SAUGFUSSTUETZE
CUE.03.033	TT002	2	TESTA TONDA CON QUADRO M5x35 INOX	SCREW	VIS	ZYLINDERSCHAUBE
CUE.03.034	TT001	2	TESTA TONDA CON QUADRO M5x30 INOX	SCREW	VIS	ZYLINDERSCHAUBE
CUE.03.035	TT004	2	TESTA TONDA CON QUADRO M5x25 INOX	SCREW	VIS	ZYLINDERSCHAUBE
CUE.03.036	RT187	1	RUOTA PER CASSETTO SCARICO ALTO	WHEEL	ROUE	RUECKRAD
CUE.03.037	LM681	1	LISTELLO POSTERIORE SQUEEGEE OSCILL	LISTEL	BORD	GUMMILEISTE
CUE.03.038	BP379	1	LAMA POSTERIORE SQUEEGEE DELUX350	REAR RUBBER	CAOUTCHOU ARRIERE	RUECKMESSER
CUE.03.039	FS046	1	FASCETTA 20-32 INOX	CLAMP	BANDE	SHELLE
CUE.03.040	SQ078	1	CORPO SQUEEGEE PARABOLICO DELUX350	SQUEEGEE	SUCEUR	SAUGFUSS
CUE.03.041	BP380	1	LAMA ANTERIORE SQUEEGEE DELUX350	FRONT RUBBER	CAOUTCHOU AVANT	VORDERGUMMI
CUE.03.042	KIT907	1	KIT SERIE LAME SQUEEGEE DELUX350CUE	SQUEEGEE RUBBER BLADE	JEU BAVETTES ASPIRATI	KIT GUMMI SAUGFUSS
CUE.03.043	DD453	3	DADO AUTOBLOCCANTE M6 INOX	INOX SELF-LOCKING NUT	ECROU DE SURETE	SICHERUNGSMUTTER
CUE.03.044	LM682	1	LISTELLO ANTERIORE SQUEEGEE OSCILLA	LISTEL	BORD	GUMMILEISTE
CUE.03.045	BO249	3	BOCCOLA INTERNA RUOTE SQUEEGEE	BUSH	DOUILLE	BUCHSE
CUE.03.046	RT186	2	RUOTA SQUEEGEE LATERALE	WHEEL	ROUE	RUECKRAD
CUE.03.047	TT003	3	TESTA TONDA CON QUADRO M6x20 INOX	SCREW	VIS	ZYLINDERSCHAUBE
CUE.03.048	DD452	6	DADO AUTOBLOCCANTE M5 INOX	INOX SELF-LOCKING NUT	ECROU DE SURETE	SICHERUNGSMUTTER
CUE.03.049	FL088	1	FLANGIA ATTACCO SPAZZOLA DELUX350	BRUSH FLANGE	BRIDE BROSSE	BUERSTENFLANSCH
CUE.03.050	SZ048	1	SPAZZ.LAVARE 340mm C/SETOLE NYLON	NYLON WASHING BRUSH	BROSSE NYLON	NYLONBUERSTE
CUE.03.050	SZ048C	1	SPAZZ.TYNEX 340mm	TYNES BRUSH 340mm	BROSSE TYNEX	KOHLNBUERSTE
CUE.03.050	SZ048M	1	SPAZZ.MOQUETTE 340mm	CARPET BRUSH 340mm	BROSSE MOUQUETTE	MOUQUETTE BURSTE
CUE.03.050	TS054	1	TRASCINATORE 340	PAD HOLDER 340	PLATEAU SUPPORT PAD 3	MINTNEHMERSCHEIBE
CUE.03.051	RO406	1	RONDELLA NORM.DIAM. 12 UNI 6592/69	INOX WASHER	RONDELLE	SCHEIBE
CUE.03.052	VV444	1	VITE SVAS.BRUGOLA M8X25 UNI5933/77	SCREW	VIS	ZYLINDERSCHRAUBE
CUE.03.053	KIT908	1	KIT ASSEMBLAGGIO SQUEEGEE DEL350CUE	ASSEMBLY KIT SQUEEGEE	KIT SUCEUR ET BAVETTE	KIT SAUGFUSS





N.Position	Code Num	Qta	Descrizione	Description	Description	Bezeichnung
CUE.04.001	PY831	1	PULSANTE MANUBRIO NERO	BLACK BUTTON	BOUTON NOIR	SCHWARZER SCHALTER
CUE.04.002	PY831	1	PULSANTE MANUBRIO NERO	BLACK BUTTON	BOUTON NOIR	SCHWARZER SCHALTER
CUE.04.003	IN101	2	INTERRUTTORE A PULSANTE LUMINOSO	SWITCH	INTERRUPTEUR LUMINEUX	SHALTER
CUE.04.004	PY832	1	RELE' SPAZZOLE 220V	BRUSHES RELAY	RELAIS BROSSES	BUERSTENRELAIS
CUE.04.005	PY261	1	CAVO 3x1.5 SPINA EUROPEA mt.15 =PY1	CABLE	CABLE	KABEL
CUE.04.006	CW288	1	CAVO COLLEGAMENTO MOTORI/PLANCIA	CABLE	CABLE	KABEL
CUE.04.007	PY030	1	SPINA FEMMINA TIPO 160BU	FEMALE PLUG	CONNECTEUR	STECKHUELSE
CUE.04.008	PY031	1	SPINA MASCHIO TIPO 163/2	MALE PLUG	CONNECTEUR	STECKER
CUE.04.009	MO216	1	MOTORE ASPIRAZIONE 230V 50Hz 550W C	SUCTION MOTOR 230V 50	MOTEUR ASPIRATION	ANSAUGMOTOR
CUE.04.010	MO419	1	MOTORIDUTTORE SPAZZOLE A 220V 370W	BRUSHES REDUCTION GEA	REDUCTEUR BROSSES	GETRIEBEMOTOR
CUE.04.011	PY531	1	MORSETTIERA 3 POLI FV 51 FEMMINA	TERMINAL BOARD	BORNIER	KLEMMENBRETT
CUE.04.012	PY530	1	MORSETTIERA 3 POLI FV 51 MASCHIO	TERMINAL BOARD	BORNIER	KLEMMENBRETT



Mat. n.
Serial no. _____
Nr. de serie

Data di spedizione
Date of shipment _____
Date de spedition

Distributed by:

ING. O. FIORENTINI S.p.A.

“THE BEST IN FLOOR MACHINES”

FILIALI:

20132 MILANO – Fax. 02/2592779

Via Palmanova 211/a – Tel. 02/27207783 - 2564810

00012 Guidonia Montecelio (ROMA) – Fax. (0774)353419 - 353314

Via Ponte Corvo 20 – Tel. (0774)357184 - 353015

STABILIMENTO:

50030 PIANCALDOLI (FI) – Fax. 055/817144

Loc. Rombola – Tel. 055/8173610